

ferroli

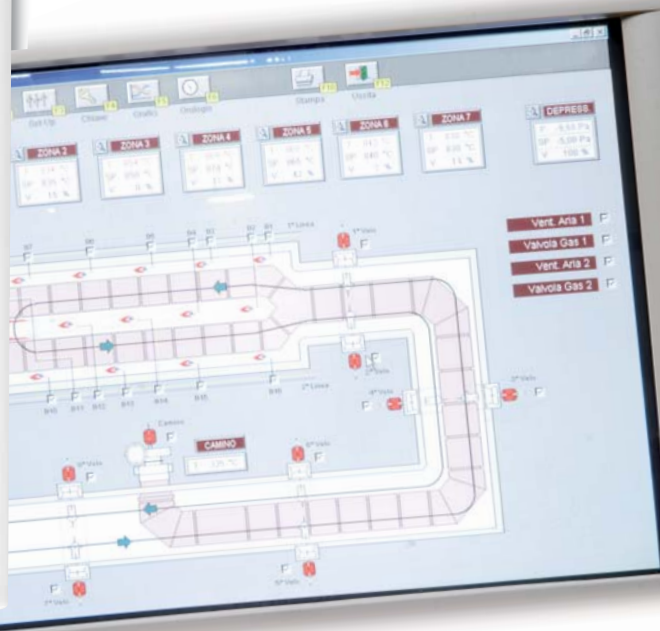
CALYPSO

Electric storage water heater





The new **CALYPSO** electric storage water heater is the latest tile in the mosaic of the Ferrolì Group, an international company that for over fifty years has been developing and manufacturing products in the heating and air-conditioning sectors, taking inspiration from the philosophy of **"MADE IN ITALY"**.



At the brand-new FERROLÌ plant in Tuscany, the modern assembly lines have been designed and developed to create a product that responds to the need for modernity required by today's market, without however neglecting quality, long life and ease of operation and maintenance.

The entire production process is managed by a computerised control system, from design through to final testing, reflecting the methodology that is now consolidated across the Ferrolì Group, and that guarantees the efficiency, safety and technical/constructional solidity of all Ferrolì products.



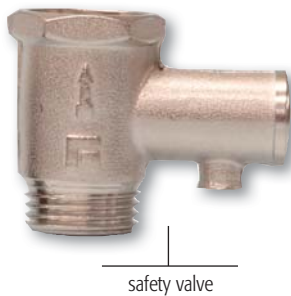
The **CALYPSO** electric water heaters are made from high quality steel, with a special enamel powder treatment on the inside, applied using advanced electrostatic techniques and then **baked in an oven at 850°** for the perfect cryolite glass finish of the storage tank.

To keep heat loss to a minimum, the **CALYPSO** is insulated on the inside **with CFC-free, high-density polyurethane foam**, and on the outside with polymer paint with excellent heat insulating properties.

All models of the **CALYPSO** are 100% tested to ensure perfect operation at normal operating pressure.



The **CALYPSO** water heater features three devices of safety: a **water valve** that is actuated in the event of excess pressure in the tank and **two automatic temperature** control devices to prevent overheating.

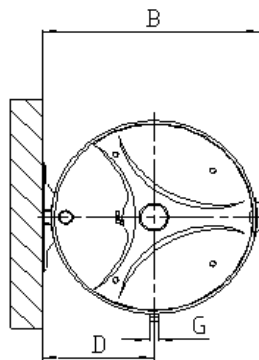
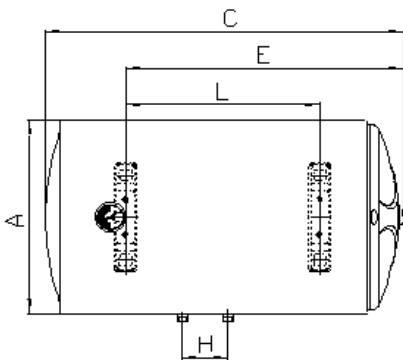


The **CALYPSO** water heaters are fitted with:

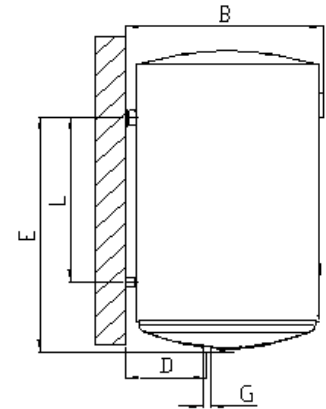
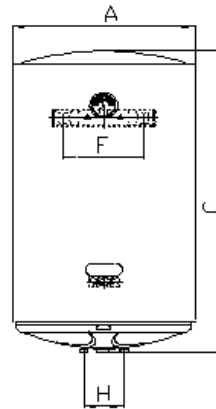
- copper electric heating elements
- probe for temperature control
- magnesium anode protecting the tank
- flange with 5 bolts to ensure sturdiness and at the same time simplify periodical maintenance operations
- temperature indicator
- on/off light
- water valve set to 8 bars with drain cock and safety screw
- manual temperature setting (optional)



CALYPSO horizontal



CALYPSO vertical



CALYPSO		HORIZONTAL					VERTICAL				
		50	80	100	120	150	50	80	100	120	120
Tank capacity	l	48,5	75	100	110	120	48,5	75	100	110	120
DIMENSIONS	A mm	440	440	440	440	440	440	440	440	440	440
	B mm	460	460	460	460	460	460	460	460	460	460
	C mm	565	775	995	1135	1175	565	775	995	1135	1175
	D mm	230	230	230	230	230	130	130	130	130	130
	E mm	385	595	815	955	995	385	595	815	955	995
	F mm	265	265	265	265	265	265	265	265	265	265
	G inches	1/2"	1/2"	1/2"	1/2"	1/2"	1/2"	1/2"	1/2"	1/2"	1/2"
H mm	100	100	100	100	100	100	100	100	100	100	
L mm	160	370	585	725	765	–	–	585	725	765	
Working pressure	N/cm ²	8	8	8	8	8	8	8	8	8	8
Power	W	1500	1500	1500	1500	1500	1500	1500	1500	1500	1500
Tank steel thickness	mm	1,8	1,8	1,8	1,8	1,8	1,8	1,8	1,8	1,8	1,8
Insulation thickness	mm	18	18	18	18	18	18	18	18	18	18
Heating time (20+55°C)		2h - 18'	3h - 15'	4h - 30'	5h - 30'	6h - 30'	2h - 18'	3h - 15'	4h - 30'	5h - 30'	6h - 30'
Total weight	kg	19	26	32	37,5	36,7	19	26	32	37,5	36,7
Net weight	kg	17,5	24	29,4	34	36	17,5	24	29,4	34	36
Dimensions of the box L x W x H	mm	475x454x600	475x454x810	475x454x1030	475x454x1175	475x454x1210	475x454x600	475x454x810	475x454x1030	475x454x1175	475x454x1210
Capacity of HC 40 feet high container	pcs	500	375	305	250	250	500	375	305	250	250

CALYPSO

Designed and approved in compliance with the strictest European quality standards, all the products are 100% tested at the end of the assembly line, for final quality control with regards to electrical safety.

■ SOME PHASES DURING PRODUCTION



■ "BLUE SILICON" ENAMELLING PROCESS



■ BAKING IN A FURNACE AT 850°C

ferroli

ferroli



Cod. 000000000 - 10.2007

FERROLI *around the World*

ITALY www.ferroli.it

SPAIN www.ferroli.es

FRANCE www.ferroli.fr

UNITED KINGDOM www.ferroli.co.uk

NETHERLANDS www.agpo.nl

GERMANY www.ferroli.de

TURKEY www.ferroli.com.tr

ROMANIA www.ferroli.ro

POLAND www.ferroli.com.pl

RUSSIA www.ferroli.msk.ru

UKRAINE www.ferroli.ua

BELARUS www.ferroli.by

CHINA www.ferroli.com.cn

BALKANS www.ferroli.hr

IRAN www.ferroli.ir



Ferroli spa - 37047 San Bonifacio (Verona) Italy - Via Ritonda 78/A
tel. +39.045.6139411 - fax +39.045.6100233
www.gruppoferroli.com - e-mail: export@ferroli.it

WARNING FOR TRADERS: As part of its efforts to constantly improve its range of products, with the aim of increasing the level of Customer satisfaction, the Company stresses that the appearance, dimensions, technical data and accessories may be subject to variation. Consequently, ensure that the Customer is provided with updated documents. The products described in this document are covered by warranty if purchased and installed in Italy.